

S8 USER'S GUIDE



DUAL SCREEN LAPTOP SCREEN EXTENDER

Friendly Reminders:

1. Ensure a secure connection of the Type-C data cable to the device interface.
2. This product seamlessly supports all Type-C functions, including charging and video, through a single integrated cable. In the event of screen power issues or restart difficulties, kindly provide external power of 5V, 2A.
3. When using the DP interface to connect the product, please use the HDMI To TYPE-C data cable included in the package and ensure external power is supplied.

Windows

Mac

Android

Product Introduction

The S8 is an ultra-light and ultra-thin single-screen portable monitor with an innovative structure. It is ultra-light, ultra-thin, foldable, and designed for multi-scene and multi-application use. It is portable and foldable, helping you quickly set up a personal mobile studio. It provides the perfect solution for laptop users for multi-screen synchronization and split-screen display, boosting work efficiency by up to 50% and enabling efficient multitasking. It supports screen sharing with some brands such as SAMSUNG and HUAWEI. It also supports smartphone systems' desktop mode and audio and video transmission functions.

The S8 stand is easy to use. Simply pull it open and clip it onto the top of the laptop screen, and it will be securely fixed without falling off. It supports laptop cases from 13 inches to 17.3 inches. The screen comes with a built-in adjustable stand, allowing you to set different angles and offering a different enjoyable experience for professionals, office workers, gamers, stock traders, entrepreneurs, programmers, and students.

The S8 screen allows adjustment of brightness, volume, contrast, and other parameters. It is equipped with a full-featured Type-C and USB-C with DP interface, enabling diversified video and data expansion without the need for a docking station. As long as the laptop's Type-C interface supports both signal and power transmission, seamless connection and display can be achieved. In addition, devices with HDMI output interfaces (such as desktop computers, laptops, mini PCs, set-top boxes, game consoles, etc.) can also be directly connected and used. However, please note that the screen requires an external power supply to light up (you need to use the included custom HDMI-to-Type-C cable to connect the monitor to the computer).

Finally, the S8 screen supports 180-degree rotation, allowing you to freely adjust to the best viewing angle based on your needs, providing an ultimate visual experience.

Contents of Instruction

Product Attributes

1. Product host	1
2. Accessories	1
3. Parameters	1

Installation and stowing Mode

1. Opening mode	2
2. Outrigger stretch	2
3. Fixing mode of device	2
4. Opening mode when it is working	3
5. Single-screen storage	3

Key Definitions	3
-----------------------	---

Connection Mode

1. Connect S8 With Laptop	4
2. Device power supply connection mode	5

Audio Settings

1. Change sound settings of Windows 10 / Windows 11	6
2. Change sound settings of MAC OS PC	7

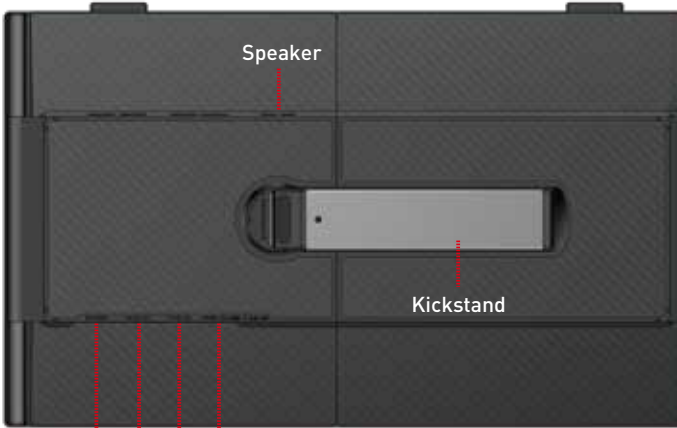
Display Mode

1. Windows 10 / Windows 11 Display Settings and Configuration	8
2. MacOS 13 Ventura Display Settings and Configuration	9

Transportation, Storage and Safety Information	10
--	----

Product Attributes

1. Product host



Multi-function button

TYPE-C / USB-C with DP

TYPE-C2

TYPE-C1

2. Accessories



Monitor



USB-A to USB-C *1



USB-C to USB-C *1



HD to TYPE-C *1



Bag

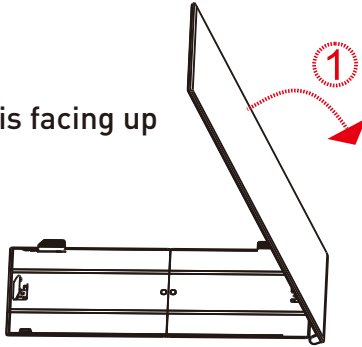
3. Parameters

Weight:	≈600g	Screen Size:	14 Inches
Size:	332x207x15.6mm	Average Brightness:	300cd/m ²
Refresh Rate:	60Hz	Type-C Input:	5V-20V / 5A Max
Resolution:	1920x1080	Type-C Output:	5V-20V / 4.25A Max
Speaker:	1	Ports:	TYPE-C*2+USB-C with DP

Installation and Stowing Mode

1. Opening mode

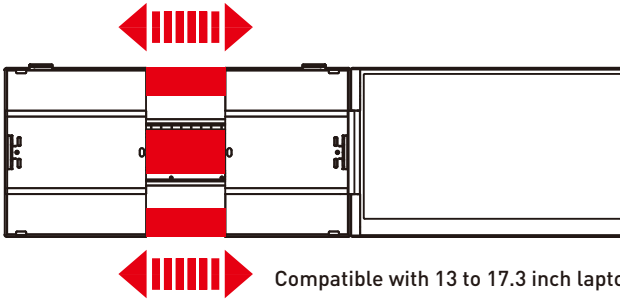
The screen is facing up



Opening sequence:

Open the screen in the direction shown in the figure, with a maximum folding angle of 180°.

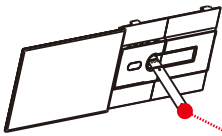
2. Outrigger stretch



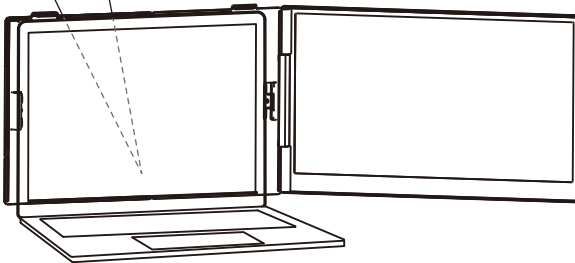
Compatible with 13 to 17.3 inch laptops

3. Fixing mode of device

Adjust the kickstand

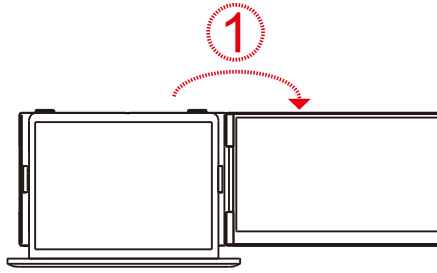


1. First open the support rod, and then stretch the support to the appropriate size;
2. The support rod only supports clockwise rotation of 90 degrees;
3. The maximum opening angle of the support rod is 90 degrees, and excessive folding will damage the support rod.



Installation and Storage

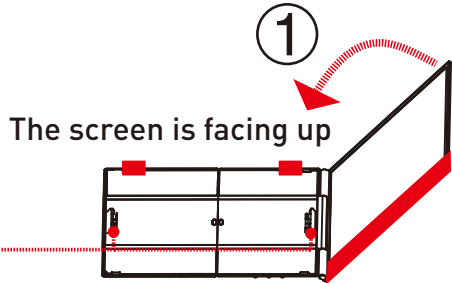
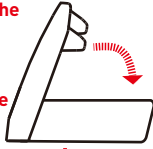
4. Opening Sequence



Note: Please follow the sequence of opening and closing to avoid damage of the device.

5. Closing Sequence

Always make sure the small flap closes properly before storing the screen, or you could damage the display.



1. When storing the device, ensure the product stand is positioned upward and the wide edge of the screen faces downward. The right screen must be stored first to avoid screen damage.
2. Always make sure the small flap closes properly before storing the screen, or you could damage the display.

Key Definitions



Toggle left "Minus"
Backlight Adjustment

Toggle right "Plus"
Volume Adjustment

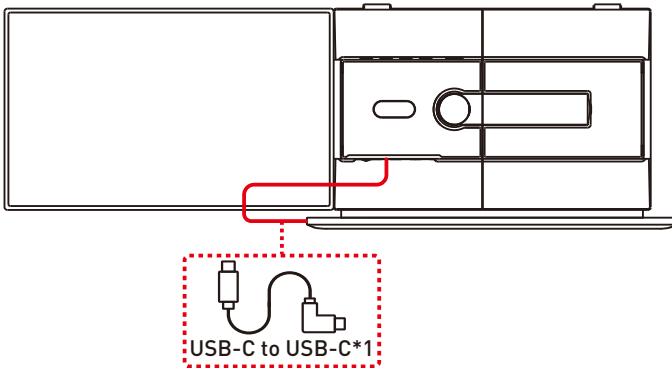
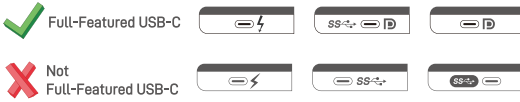
Menu/Selection/Confirmation Button
Press and hold for 2 seconds to return
Press and hold for 3 seconds to shut down

Connection Mode

1. Connect S8 with Laptop

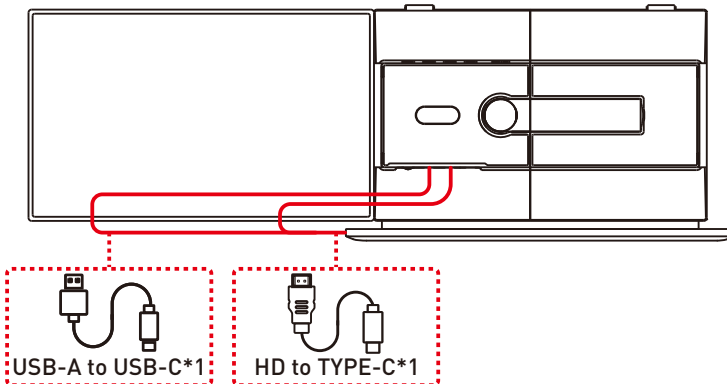
TYPE-C Connection:

If your laptop has one full-functioned Type-C port, you can use one USB-C to USB-C cable to connect the product to your laptop. Please connect the cable from the first or second port on the screen extender to the full-functioned Type-C ports of your laptop.



USB and HDMI port Connection:

If your laptop has one USB-A or USB-C port and one HDMI port, please use two cables (one HDMI to USB-C cable + one USB-A or USB-C to USB-C cable) to connect the screen.

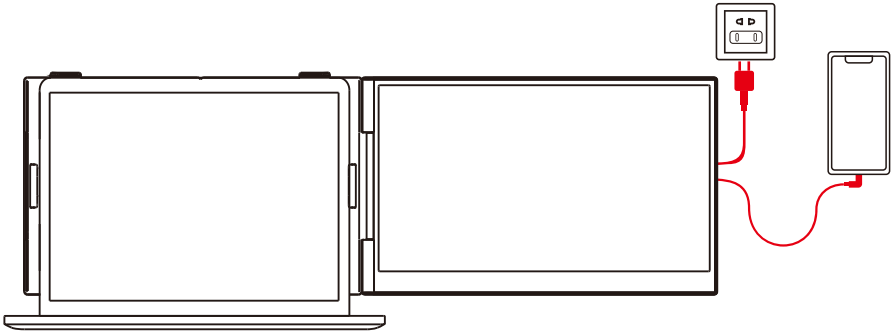


Note: The HDMI to USB-C cable must be connected to **the third port of the screen extender for video**, and the USB-A or USB-C to USB-C cable must be connected to the first or second port for power supply.

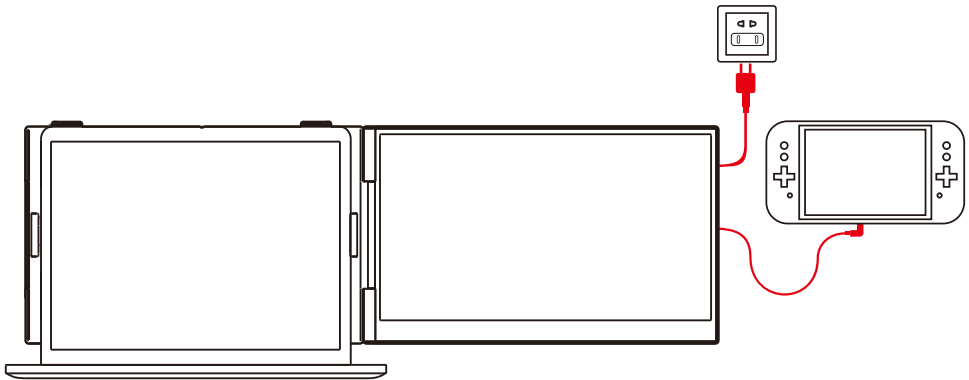
Notice: If the display has no signal or the signal is unstable after connection, please connect an external **5V/2A power adapter** to power the laptop.

Connection Mode

2. Connect S8 with Mobile Phone with Other Devices



Mobile phone connection mode
(External power supply required)



Switch connection mode
(External power supply required)

Audio Settings

1. Change sound settings of Windows 10 / Windows 11

1.1 Right click the loudspeaker icon located in the bottom-right corner.



1.2 Select "switch on sound" in pop-up dialog box.

1.3 Left click "turn on sound settings" and pop-up the box as provided.

Here users can set about sound

1. Master volume;
2. Select output device: (S8 / Speaker);
3. Device attributes.

A screenshot of the Windows Settings application. The left sidebar shows the 'Sound' option highlighted with a red box. The main content area is titled 'Sound' and has a sub-section 'output'. Under 'output', there is a 'Select output device' dropdown menu with 'S8 (2-AMD High Definitio...' selected, highlighted by a red box. Below this is a text box with the message: 'Some apps can be set to use a different sound device than the one selected here. Please customize the app volume and device in advanced sound selection.' Underneath is a 'Device attributes' link, also highlighted by a red box. At the bottom of the 'output' section is a 'master volume' slider set to 70, highlighted by a red box. A 'Troubleshooting' link is visible at the very bottom of the settings page.

Audio Settings

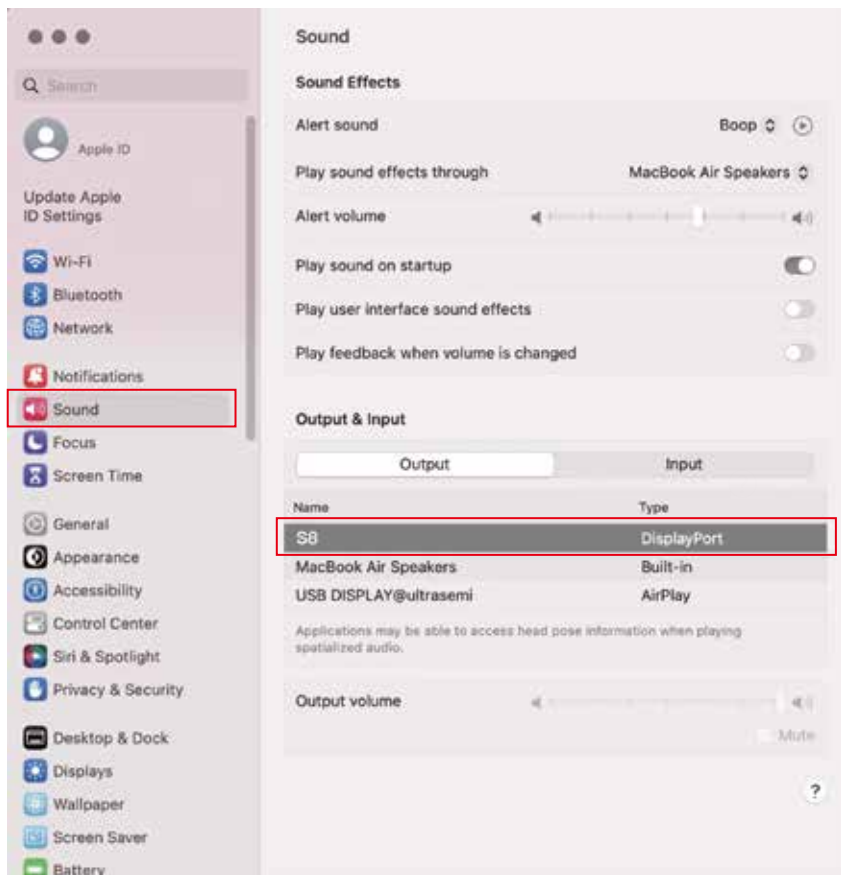
2. Change sound settings of MAC OS PC

2.1. Choose Apple menu > System Settings



2.2. Click on "Output" and then choose the desired device from the list of available sound output options.

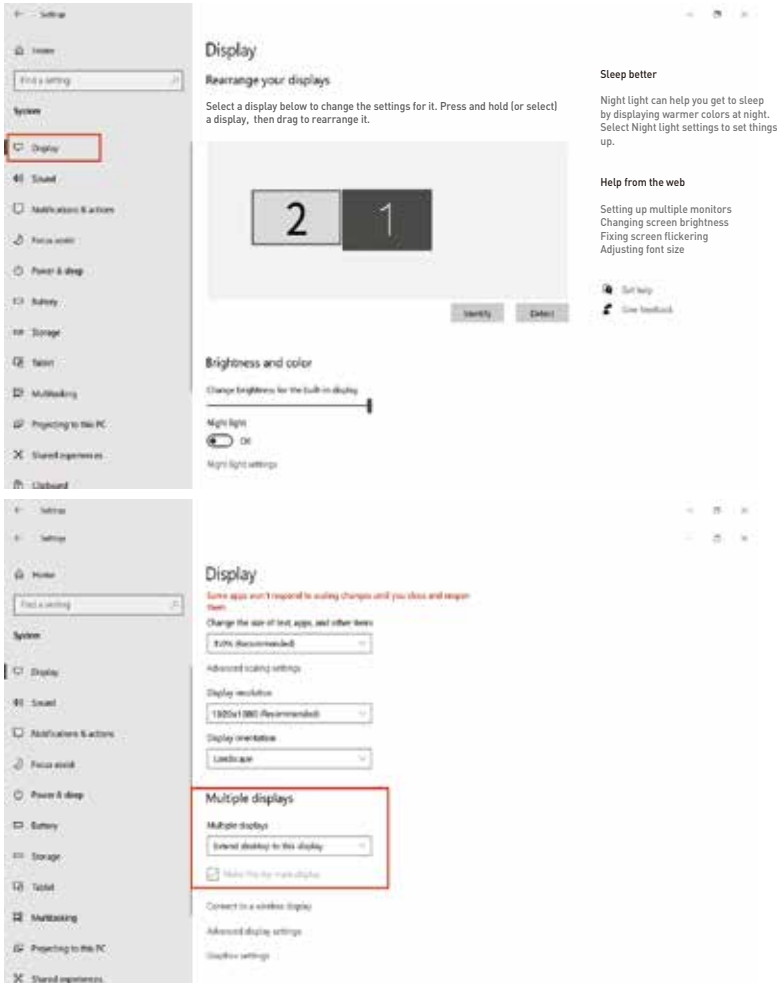
Output devices: { S8 / Speaker }



Display Mode

1. Windows 10 / Windows 11 Display Settings

- 1.1 Right-click a blank area of the desktop. Select 'Display Settings' from the pop-up dialogue box. Left click "Display Settings" to open the settings dialogue box, shown in the figure:



- 1.2 Under the "Rearrange displays" section, drag and drop each display to rearrange them according to their physical layout of your desktop. Scroll down to the bottom of the page to further configure the display for extended or mirrored mode.

Display Mode

2. MacOS 13 Ventura Display Settings

2.1 Enter the "System Preferences" menu



2.2 Configure your monitor

In this menu, you can set the resolution and mirror/extend the display you want.



2.3 Arrange Displays

To rearrange displays, drag them to the desired position.

To mirror displays, hold Option key while dragging them on top of each other.

To relocate the menu bar, drag it to a different display.

Arrange Displays

To rearrange displays, drag them to the desired position. To mirror displays, hold Option while dragging them on top of each other. To relocate the menu bar, drag it to a different display.



Transportation, Storage and Safety Information

To ensure the safe and proper use of this product and prevent accidents such as electric shock or fire, please read and understand all use requirements and operation procedures before using.

Please adhere strictly to the following guidelines:

1. Before use, remove the protective film from the screen surface.
2. This product requires a DC power supply through an AC/DC power adapter. Ensure that the adapter is placed away from heat sources in a well-ventilated location. The AC power socket and AC power line should be adequately grounded to handle the current demands.
3. The DC power input required for this product is $5V-20V \pm 2V$.
4. Take precautions to prevent excessive humidity and dust accumulation, as they can lead to circuit corrosion and malfunction.
5. Avoid subjecting the screen surface to external forces or impacts.
6. Do not use sharp tools that may damage the screen surface.
7. This product is suitable for general business and domestic use, and it is recommended to operate it within an ambient temperature range of -20°C to 60°C . Please turn off the power when you stop using produce.
8. Remember to power off the device by disconnecting the power source when not in use.

